

## Leaf



Leaf, designed by Sergio Bellin, is a collection designed around the original linearity of the leaf and its nerves. The back upholstery is made with an elastic membrane that can be teamed with different types of fabric or fitted with breathable mesh. The innovative system for the application of the seat back guarantees maximum adaptability to the user's posture. The seat made of extra-thick foam guarantees superior comfort; it allows depth-adjustment to the desired position or free floating for customised ergonomics.

### Projects

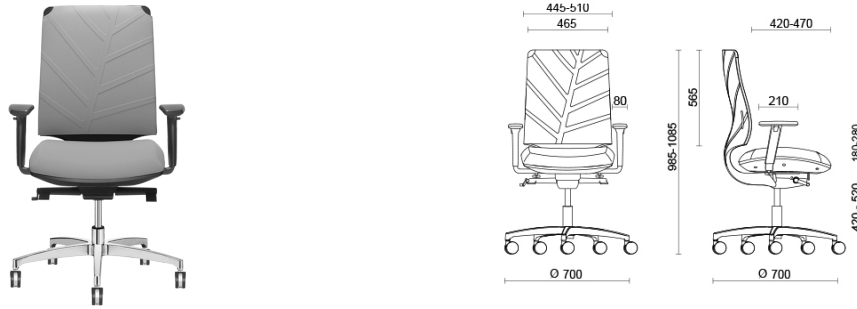
**McDonald's**, Mosca, Russia (2012)

**Stockholm Furniture Fair**, Stoccolma, Sweden (2012)

**MTA Research Lab**, Codogno, Italy (2013)

## Models

Operative



## Materials and colours

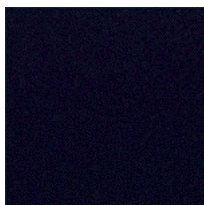
### Seat upholstery



Fabric AB - Xtreme Plus / Camira  
Available colours 7



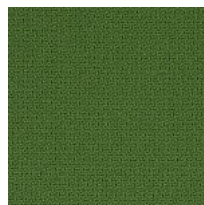
Fabric BN - Bondai / FiDiVi  
Available colours 9



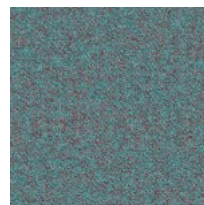
Fabric IP - Ipanema D / Pugi  
Available colours 11



Fabric ME - Medley / Gabriel  
Available colours 13



Fabric ST - Step / Gabriel  
Available colours 7

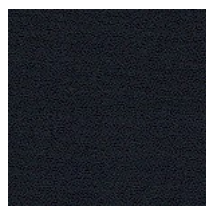


Fabric SY - Sinergy / Camira  
Available colours 7



Fabric AL - Alba / FiDiVi  
Available colours 6

### Technical back



Fabric AB - Xtreme Plus / Camira  
Available colours 2



Fabric BN - Bondai / FiDiVi  
Available colours 2



Fabric IP - Ipanema D / Pugi  
Available colours 4

**Questo prodotto è garantito 5 anni.** Sitland Spa si riserva di apportare modifiche e/o migliorie di carattere tecnico ed estetico ai propri modelli e prodotti in qualsiasi momento e senza preavviso. Le foto e i colori visualizzati sono puramente indicativi e possono variare rispetto alla realtà. Per maggiori informazioni si prega di contattare il nostro Servizio Clienti [service@sitland.com](mailto:service@sitland.com)